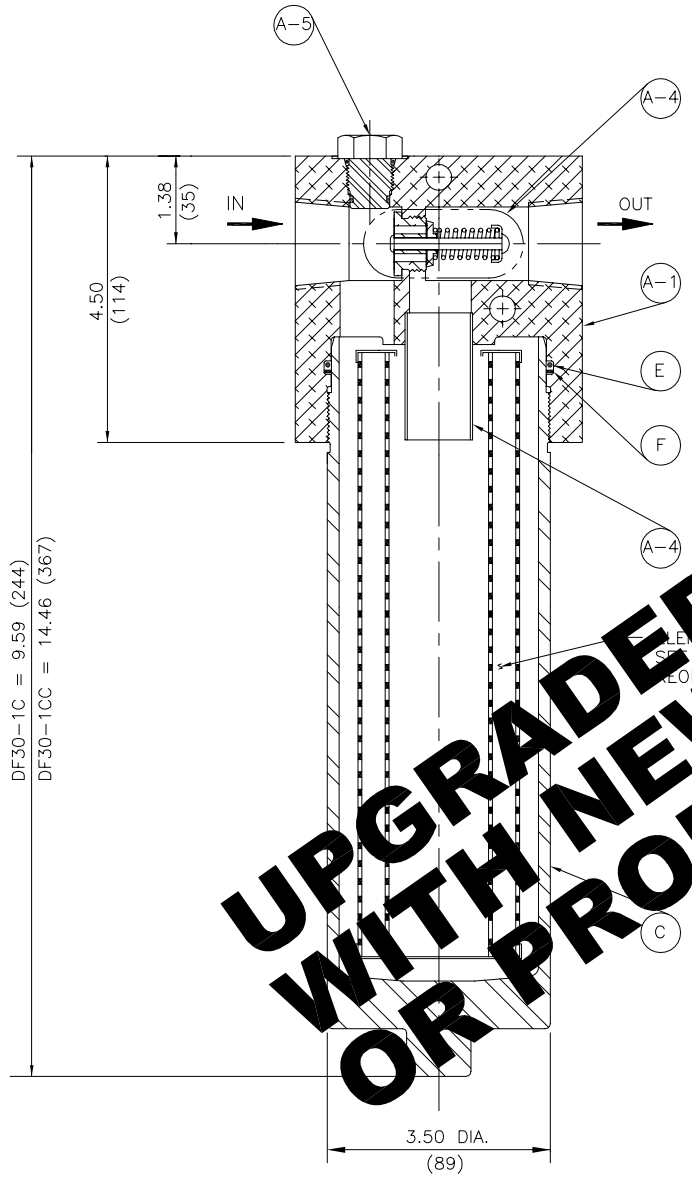
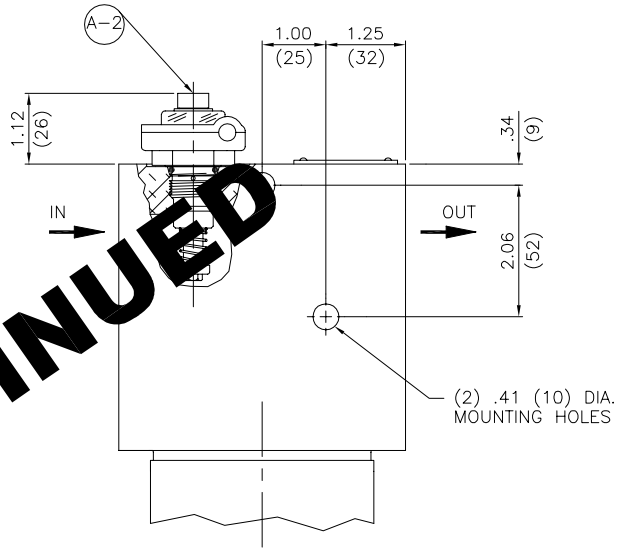
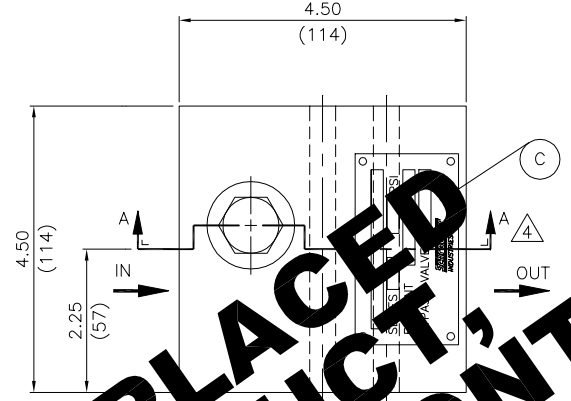


UPGRADED/REPLACED
WITH NEW PRODUCT,
OR PRODUCT DISCONTINUED

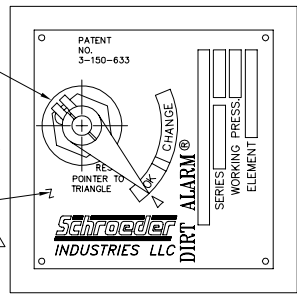


SECTION A-A



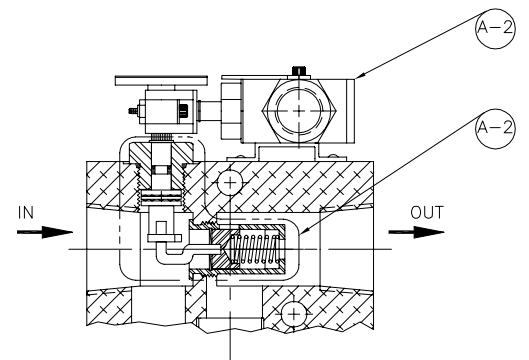
HEAD LOCATION

DIRT ALARM MECHANICAL CARTRIDGE
SERIES: "A"
DIRT ALARM ELECTRICAL CARTRIDGE
MOUNTED IN SAME LOCATION



HEAD LOCATION

DIRT ALARM VISUAL
POINTER
SERIES: "ORIGINAL"



HEAD LOCATION

DIRT ALARM ELECTRICAL
CAM OPERATED
SERIES: "ORIGINAL"

MATERIAL	DEC. TOLERANCES	APP.	REV. CARD: 7101
2 PL. ±	---	CHK. MITCHELL 8-27-87	REV. DATE: 5-29-03
3 PL. ±	---	DWN. M. SCHMITT 8-18-87	B/M
ANG. ±	---	DISK NO. D-109	P/N

PARTS LIST FOR DF30 FILTER



REV.	DRAWING NO.
4	D-5611
SCALE: FULL	SHT. 1 OF 2

DF30 FILTER PARTS LIST

ITEM	QUAN.	PART DESCRIPTION	PART NUMBER	
A	1	HEAD ASSEMBLY	ORIGINAL	SERIES "A"
		DF30-S * 1.31-12 STR. THD. PORT	A-DF-253	A-DF-463
		DF30-P * 1.00 NPTF PORT	A-DF-206	A-DF-464
		DF30-O * SUB-PLATE PORT	N/A	A-DF-505
		DF30-S-D 1.31-12 STR. THD. PORT	A-DF-208	A-DF-465
		DF30-P-D 1.00 NPTF PORT	A-DF-198	A-DF-466
		DF30-O-D SUB-PLATE PORT	A-DF-197	A-DF-552
		DF30-S-MS 1.31-12 STR. THD. PORT	A-DF-203	A-DF-467
		DF30-P-MS 1.00 NPTF PORT	A-DF-199	A-DF-576
		DF30-O-MS SUB-PLATE PORT	A-DF-204	A-DF-538
B	1	BOWL ASSEMBLY		
		1C ELEMENT BOWL	DF-801	DF-801
		1CC ELEMENT BOWL	DF-802	DF-802
C	1	MODEL NUMBER NAMEPLATE AND STUD ASSEMBLY	A-DF-72	A-DF-72
		DIRT ALARM NAMEPLATE AND STUD ASSEMBLY	A-DF-558	N/A
D	1	FILTER SEAL KIT ASSEMBLY		
		FILTER SEAL KIT (BUNA N)	A-DF-252	A-DF-575
		FILTER SEAL KIT (E.P.R.)	A-DF-252B	A-DF-575B
		FILTER SEAL KIT (VITON)	A-DF-252V	A-DF-575V
E	1	"O" RING (SEE NOTE 4)	DF-6	DF-6
F	1	BACKUP RING (SEE NOTE 4)	DF-7-1	DF-7-1
A	1	HEAD ASSEMBLY COMPONENT PARTS		
A-1	1	DF30-S 1.31-12 STR. THD. PORT	DF-1-3	DF-479
		DF30-P 1.00 NPTF PORT	DF-2-3	DF-478
		DF30-O SUB-PLATE PORT	DF-29-2	DF-480
A-2	1	DIRT ALARM MECHANICAL CARTRIDGE (D5)(D8)	N/A	SEE NOTE #1
		DIRT ALARM ELECTRICAL CARTRIDGE (N/S)	N/A	SEE NOTE #7
		DIRT ALARM VISUAL POINTER (D)	A-LF-283CP-1	N/A
		DIRT ALARM ELECTRICAL CAM OPER. (SEE NOTE 5)	LF-376	N/A
		DIRT ALARM (NO ELEMENT INDICATOR) (N)	A-TF-876	A-TF-876
A-3	1	BYPASS VALVE AND LINKAGE ASSEMBLY	A-DF-193	N/A
		BYPASS VALVE ASSEMBLY	A-DF-195	A-LF-2547
A-4	1	BUSHING	TF-241	TF-241
A-5	1	PLUG ASSEMBLY (NO INDICATOR IN HEAD)	LF-285	A-LF-2550
A-6	2	PLUG (FOR SUB-PLATE HEAD ONLY) (N/S)	IFS-19	IFS-19
A-7	2	"O" RING (FOR SUB-PLATE HEAD ONLY) (N/S)	DF-53-90	DF-53-90

N/A = NOT AVAILABLE

N/S = NOT SHOWN

NOTES:

- 1.) * INDICATES NO INDICATOR
 D INDICATES VISUAL INDICATOR
 MS INDICATES ELECTRIC SWITCH
 D5 INDICATES RED POP UP VISUAL INDICATOR (A-LF-2547)
 D8 INDICATES RED POP UP VISUAL INDICATOR WITH THERMAL LOCK-OUT (A-LF-3870)
- 2.) COMPLETE HEAD ASSEMBLY FOR SERIES "ORIGINAL" AND "A" FILTERS ARE INTERCHANGEABLE. BUT NOT ALL OF THE SUB ASSEMBLY PARTS.
- 3.) HEAD ASSEMBLIES INCLUDE VALVE ASSEMBLY.
- 4.) FILTER SEAL KIT ASSEMBLY INCLUDES ALL SOFT SEALS EXCEPT ELEMENT GROMMET.
- 5.) LF-376 WHEN USED REQUIRES A-LF-831-1 KIT.
- 6.) CONTACT FACTORY FOR SPECIAL "G" NUMBER FILTERS AND FOR NON-STANDARD BYPASS SETTINGS.
- 7.) CONTACT FACTORY FOR AVAILABILITY OF VARIOUS ELECTRICAL DIRT ALARMS AND PART NUMBERS OR CONSULT SCHROEDER FILTRATION PRODUCTS CATALOG "SCHROEDER CARTRIDGE DIRT ALARMS" SECTION.

DF30 FILTER SERIES LIST			
SERIES	DATE ISSUED	DATE IMPLEMENTED	DESCRIPTION
ORIGINAL			PISTON TYPE BYPASS AND POINTER TYPE DIRT ALARM
A	8-14-85	10-1-85	CARTRIDGE TYPE BYPASS, DIRT ALARM MECHANICAL CARTRIDGE AND DOUBLE "O" RING PLUG FOR NON-INDICATOR FILTER

PARTS LIST FOR
DF30 FILTER



REV.	DRAWING NO.
4	D-5611
SCALE: FULL SHT. 2 OF 2	