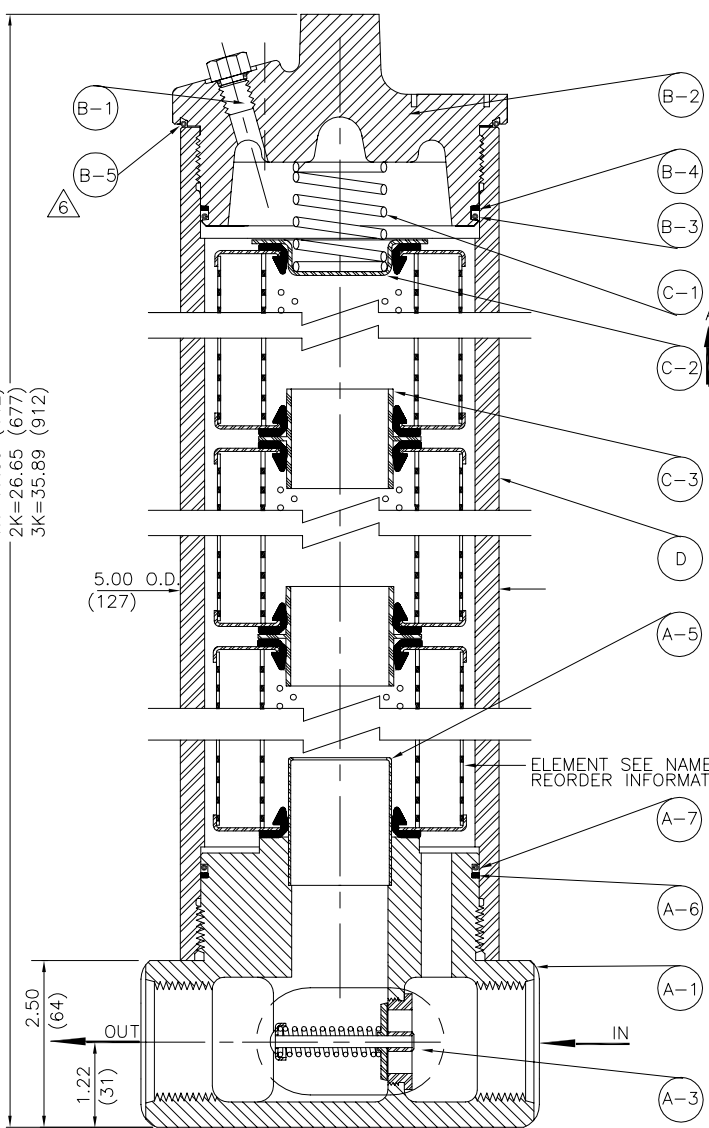
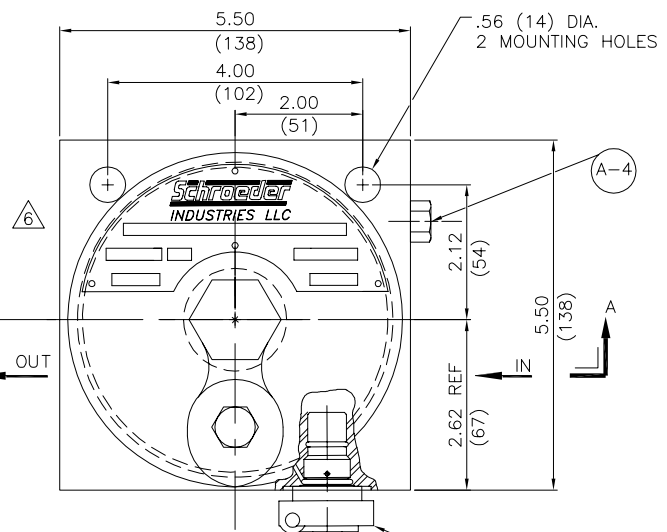


1K=17.39 (442)
 2K=26.65 (677)
 3K=35.89 (912)



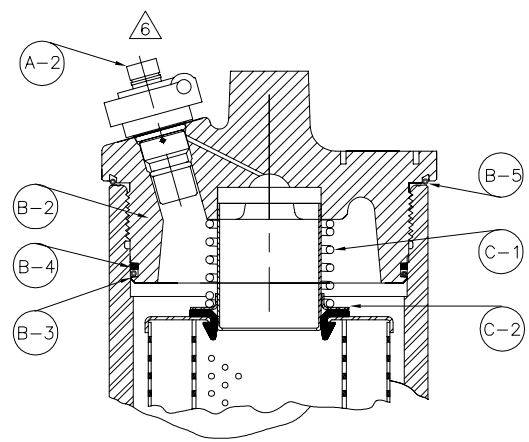
SECTION A-A

SERIES: E, F, AND G AS SHOWN
 SERIES: B, C AND D (ENCLOSURE WELDED CONSTRUCTION NOT SHOWN)



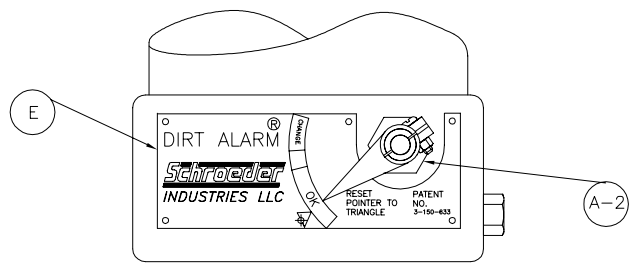
BLOCK LOCATION

DIRT ALARM MECHANICAL CARTRIDGE (D5)
 DIRT ALARM ELECTRICAL CARTRIDGE MOUNTED IN SAME LOCATION



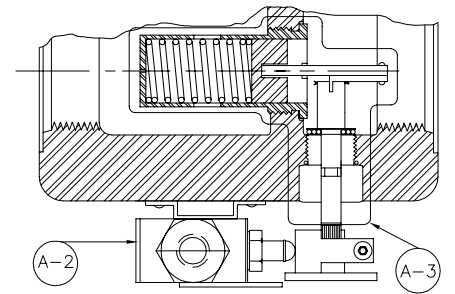
CAP LOCATION

DIRT ALARM MECHANICAL CARTRIDGE (D5)
 DIRT ALARM ELECTRICAL CARTRIDGE NOT AVAILABLE IN CAP.



BLOCK LOCATION

DIRT ALARM VISUAL POINTER (D)



BLOCK LOCATION

DIRT ALARM ELECTRICAL CAM OPERATED (MS)

MATERIAL	DEC. TOLERANCES	APP.	REV. CARD: 6708
2 PL. ±	---	CHK. S. MITCHELL 2/29/88	REV. DATE: 11/20/03
3 PL. ±	---	DWN. J. HENCH 10/7/87	B/M
ANG. ±	---	DISK NO.	P/N

PARTS LIST FOR JF20 FILTER



REV.	DRAWING NO.
6	D-5637
SCALE: FULL	
SHT. 1 OF 2	

JF20 PARTS LIST

ITEM	QUAN.	PART DESCRIPTION	PART NUMBER			
A	1	BLOCK ASSEMBLY	SERIES D	SERIES E	SERIES F	SERIES G
		JF20-S * 1.62-12 STR. THD. PORT	N/A	A-LF-3097	A-LF-3097	A-LF-3097-40
		JF20-P * 1.25 NPTF PORT	N/A	A-LF-3108	A-LF-3108	A-LF-3108-40
		JF20-S-D5 1.62-12 STR. THD. PORT	N/A	A-LF-3075	A-LF-3075	A-LF-3075-40
		JF20-P-D5 1.25 NPTF PORT	N/A	A-LF-3113	A-LF-3113	A-LF-3113-40
		JF20-S-MS5 1.62-12 STR. THD. PORT	N/A	A-LF-3111	A-LF-3111	
		JF20-P-MS5 1.25 NPTF PORT	N/A	A-LF-3115	A-LF-3115	
		JF20-S-D 1.62-12 STR. THD. PORT	N/A	A-LF-3081	A-LF-3081	A-LF-3081-40
		JF20-P-D 1.25 NPTF PORT	N/A	A-LF-2990	A-LF-2990	A-LF-2990-40
		JF20-S-MS 1.62-12 STR. THD. PORT	N/A	A-LF-3076	A-LF-3076	A-LF-3076-40
		JF20-P-MS 1.25 NPTF PORT	N/A	A-LF-3079	A-LF-3079	A-LF-3079-40
B	1	HOUSING PLUG ASSEMBLY WITH NO INDICATOR IN CAP	A-LF-620	A-LF-2312	A-LF-6114	A-LF-6114
		WITH VISUAL INDICATOR	N/A	A-LF-2537	A-LF-2537	A-LF-2537-40
C	1	ELEMENT ACCESSORY ASSEMBLY				
		(1) ELEMENT LENGTH	A-LF-982	A-LF-982	A-LF-982	A-LF-982
		(2) ELEMENT LENGTH	A-LF-983	A-LF-983	A-LF-992	A-LF-992
		(3) ELEMENT LENGTH	A-LF-994	A-LF-994	A-LF-994	A-LF-994
D	1	TUBE				
		(1) ELEMENT LENGTH	N/A	LF-2862	LF-2282	LF-2282
		(2) ELEMENT LENGTH	N/A	LF-2863	LF-2283	LF-2283
		(3) ELEMENT LENGTH	N/A	LF-2864	LF-2284	LF-2284
E	1	CAP NAMEPLATE AND/OR STUD ASSEMBLY	N/A	LF-2857	LF-6109	LF-6109
		BLOCK NAMEPLATE AND STUD ASSEMBLY	N/A	N/A	A-LF-297E#	A-LF-297E#
F	1	FILTER SEAL KIT ASSEMBLY				
		FILTER SEAL KIT BUNA "N"	A-LF-2571	A-LF-2571	A-LF-1850	A-LF-1850
		FILTER SEAL KIT E.P.R.	A-LF-2571B	A-LF-2571B	A-LF-1850B	A-LF-1850B
		FILTER SEAL KIT VITON	A-LF-2571V	A-LF-2571V	A-LF-1850V	A-LF-1850V
G	1	MAGNET ASSEMBLY				
		MAGNET ASSEMBLY FOR 1K	N/S	A-LF-1592	A-LF-1592	A-LF-1592
		MAGNET ASSEMBLY FOR 2K	N/S	A-LF-1593	A-LF-1593	A-LF-1593
		MAGNET ASSEMBLY FOR 3K	N/S	A-LF-1594	A-LF-1594	A-LF-1594
A	1	BLOCK ASSEMBLY COMPONENT PARTS				
A-1		JF20-S-(D5/MS5)	N/A	LF-3078	LF-3078	LF-3078
		JF20-P-(D5/MS5)	N/A	LF-2988	LF-2988	LF-2988
		JF20-S-D	N/A	LF-2987	LF-2987	LF-2987
		JF20-P-D	N/A	LF-2958	LF-2958	LF-2958
		JF20-S-MS	N/A	LF-3077	LF-3077	LF-3077
		JF20-P-MS	N/A	LF-3080	LF-3080	LF-3080
A-2	1	DIRT ALARM MECHANICAL CARTRIDGE (D5),(D5C)	N/A	A-LF-2547	A-LF-2547	A-LF-2547-40
		DIRT ALARM ELECTRICAL CARTRIDGE N/S	N/A	SEE NOTE 7	SEE NOTE 7	SEE NOTE 7
		DIRT ALARM VISUAL POINTER (D)	N/A	A-LF-283CP-1	A-LF-283CP-1	A-LF-283CP-1
		DIRT ALARM ELECTRICAL CAM. OPER.(SEE NOTE 4)(MS)	N/A	LF-376	LF-376	LF-376
		DIRT ALARM, NO ELEMENT INDICATOR (N)	A-LF-2945	A-LF-2945	A-LF-2945	A-LF-2945
A-3	1	BYPASS VALVE AND LINKAGE ASSEMBLY	N/A	LF-2868	A-LF-2868	A-LF-2868-40
		BYPASS VALVE ASSEMBLY	A-LF-2434	A-LF-2434	A-LF-2434-30	A-LF-2434-40
A-4	1	PLUG	HS-81	HS-81	HS-81	HS-81
A-5	1	BUSHING	LF-571	LF-571	LF-571	LF-571
A-6	1	BACKUP RING	N/A	LF-500	LF-2112	LF-2112
A-7	1	"O" RING	N/A	LF-499	LFT-105	LFT-105
A-8	1	PLUG ASSEMBLY (NO INDICATOR IN BLOCK)	N/S	A-LF-2550	A-LF-2550	A-LF-2550

ITEM	QUAN.	PART DESCRIPTION	PART NUMBER			
B	1	HOUSING PLUG ASSEMBLY COMPONENT PARTS	SERIES D	SERIES E	SERIES F	SERIES G
B-1	1	PLUG ASSEMBLY, BLEED	A-LF-1744	A-LF-1744	A-LF-1744	A-LF-1744
B-2	1	CAP (WITHOUT INDICATOR IN CAP)	LF-498	LF-2859	LF-6112	LF-6112
	1	CAP (WITH INDICATOR IN CAP)	N/A	N/A	LF-6113	LF-6113
B-3	1	"O" RING	LF-499	LF-499	LFT-105	LFT-105
B-4	1	BACKUP RING	LF-500	LF-500	LF-2112	LF-2112
B-5	1	O-RING SQ SECTION (UNDERSIDE OF CAP).	N/A	N/A	LF-6079	LF-6079
C	1	ELEMENT ACCESSORY ASSEMBLY COMPONENT PARTS				
C-1	1	COMPRESSION SPRING	LF-3236	LF-3236	LF-3236	LF-3236
	1	COMPRESSION SPRING (INDICATOR IN CAP)	LF-2578	LF-2578	LF-2638	LF-2638
C-2	1	COMPRESSION SPRING PLATE	LF-582A-1	LF-582A-1	LF-582A-1	LF-582A-1
	1	COMPRESSION SPRING PLATE (INDICATOR IN CAP)	LF-2542	LF-2542	LF-2629	LF-2629
C-3	1	ELEMENT CONNECTOR 2K LENGTH ONLY	LF-1997	LF-1997	LF-1997	LF-1997
	2	ELEMENT CONNECTOR 3K LENGTH ONLY	LF-1997	LF-1997	LF-1997	LF-1997

N/A = NOT AVAILABLE
N/S = NOT SHOWN

JF20 FILTER SERIES LIST			
SERIES	DATE ISSUED	DATE IMPLEMENTED	DESCRIPTION
A			NEVER USED
B	10/31/74		2 PASS WELD TO THE TUBE, 1.50-12UNC BYPASS
C	11/16/77		CHANGE TO 1 3/8"-12 BYPASS VALVE
D	9/14/85	10/1/85	D, D5, MS AND MS5 INDICATORS
E	8/31/87	11/30/87	TUBE THREADED TO THE BLOCK
F	1/08/88	2/20/88	KF30 TUBE AND CAP
G	11/9/99	6/1/00	CHANGED STANDARD BYPASS SETTING TO 40 PSI.

- NOTES:
- * INDICATES NO INDICATOR
D INDICATES VISUAL INDICATOR
MS INDICATES ELECTRIC SWITCH
 - BLOCK ASSEMBLIES INCLUDE "O" RINGS AND VALVE ASSEMBLIES.
 - FILTER SEAL KIT ASSEMBLY INCLUDES ALL SOFT SEALS EXCEPT ELEMENT GROMMET.
 - LF-376 WHEN USED REQUIRES A-LF-831-1 KIT.
 - CONTACT FACTORY FOR SPECIAL "G" NUMBER FILTERS AND FOR NON STANDARD BYPASS SETTINGS.
 - D5 DIRT ALARM MECHANICAL CARTRIDGE MOUNTED IN BLOCK.
D5C DIRT ALARM MECHANICAL CARTRIDGE MOUNTED IN CAP.
 - CONTACT FACTORY FOR AVAILABILITY OF VARIOUS ELECTRICAL DIRT ALARMS AND PART NUMBERS OR CONSULT SCHROEDER FILTRATION PRODUCTS CATALOG, "SCHROEDER CARTRIDGE DIRT ALARMS" SECTIONS. △

DISK NO. D-131

PARTS LIST FOR JF20 FILTER



REV.	DRAWING NO.
6	D-5637
SCALE: FULL [SHT. 2 OF 2]	